

Quick Install Guide

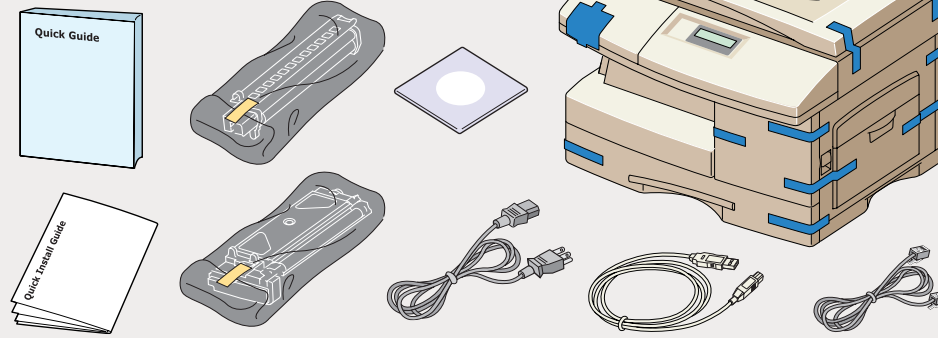
Quick Install Guide

Quick Install Guide

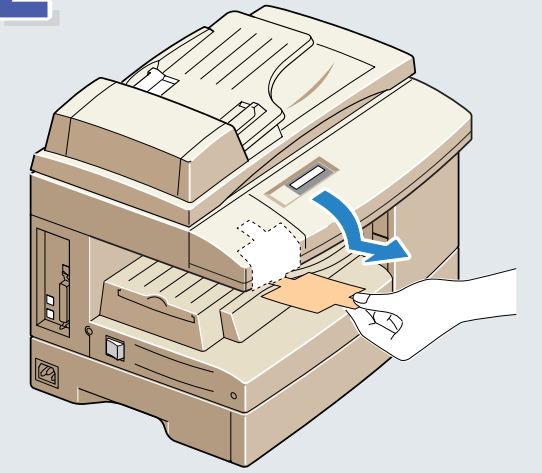
Quick Install Guide

1

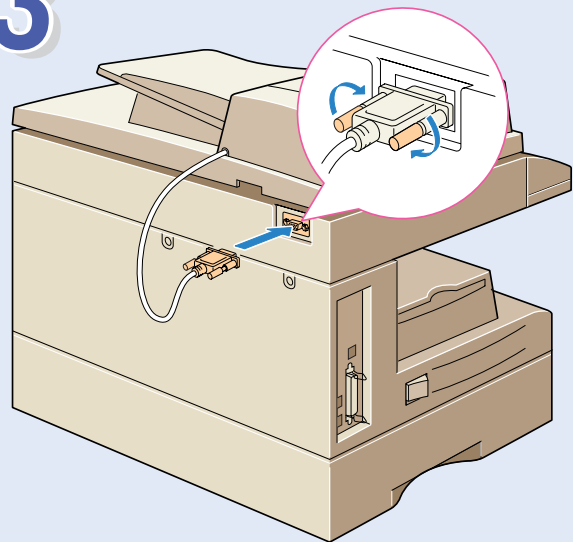
Brand plaque	Key layout sheet	One-Touch Sheet
Brand plaque	Key layout sheet	One-Touch Sheet
Brand plaque	Key layout sheet	One-Touch Sheet
Brand plaque	Key layout sheet	One-Touch Sheet



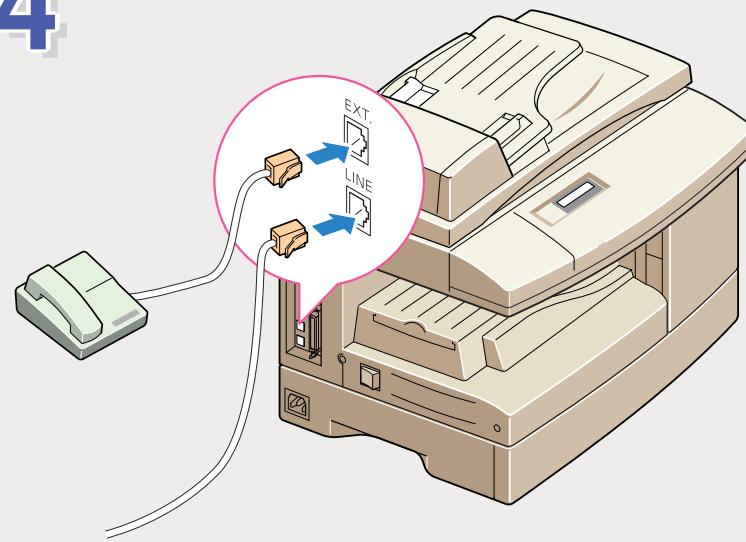
2



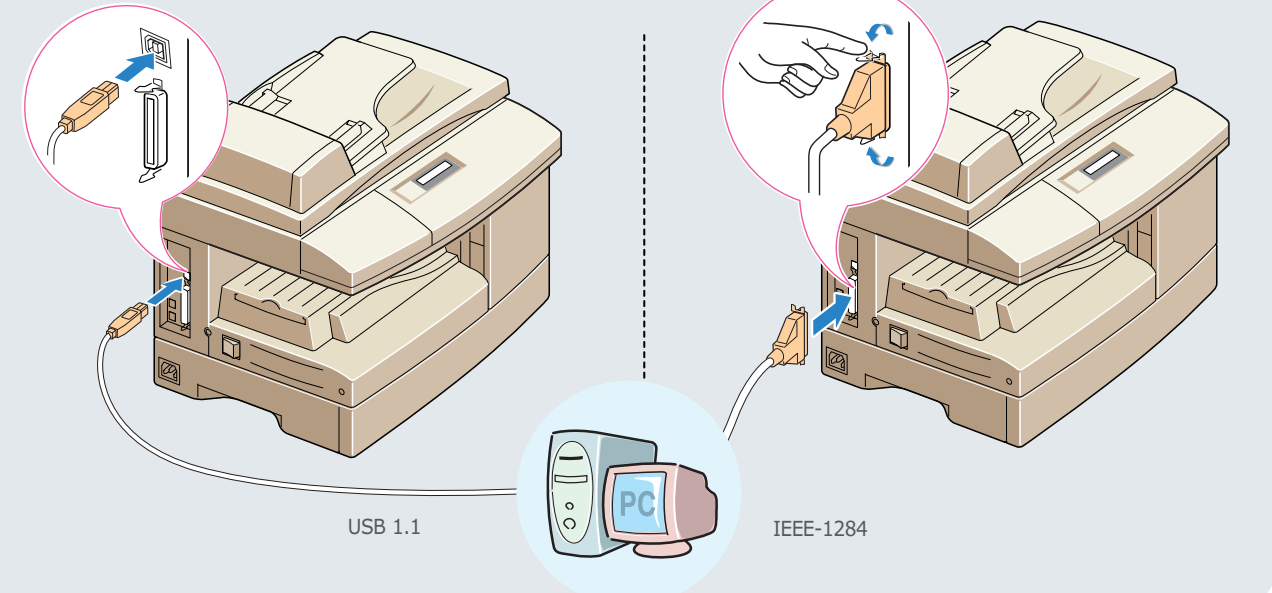
3



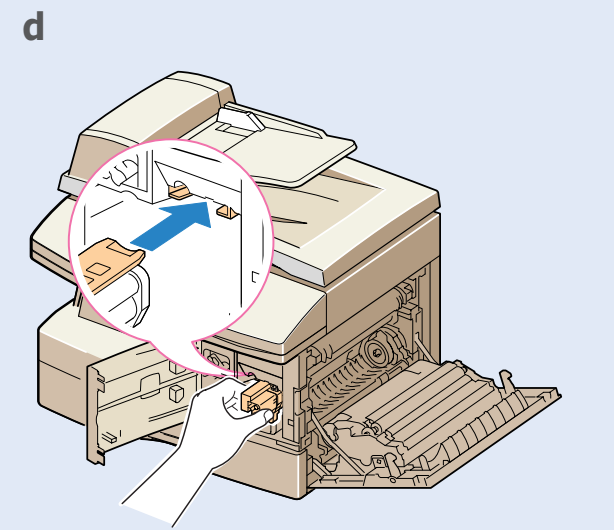
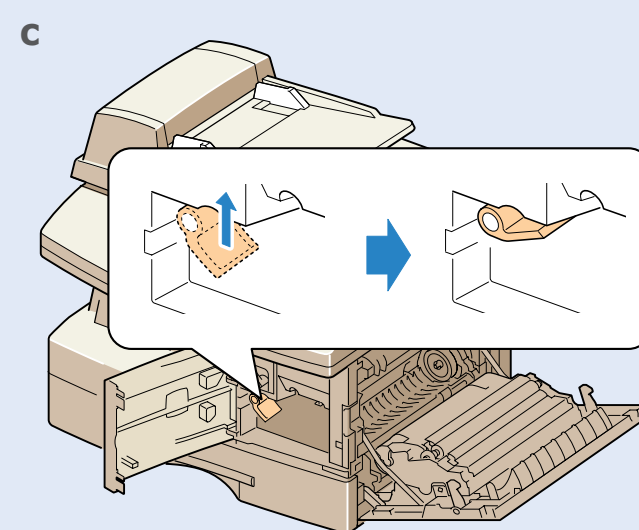
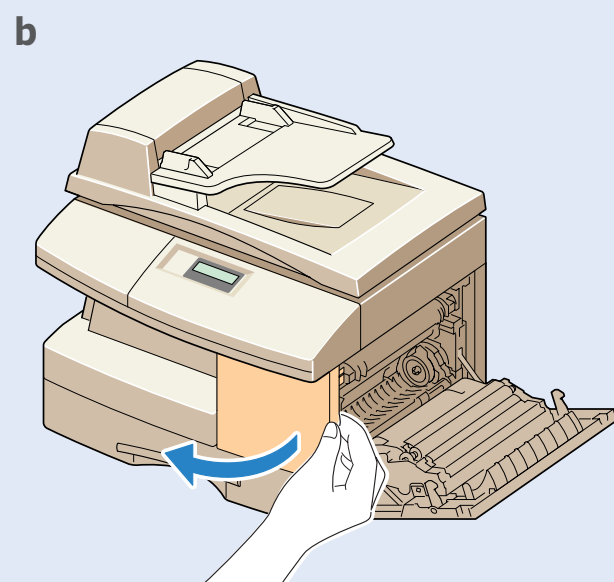
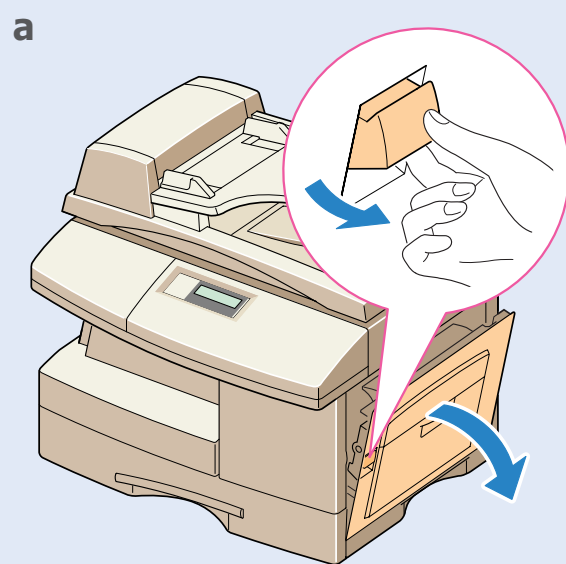
4



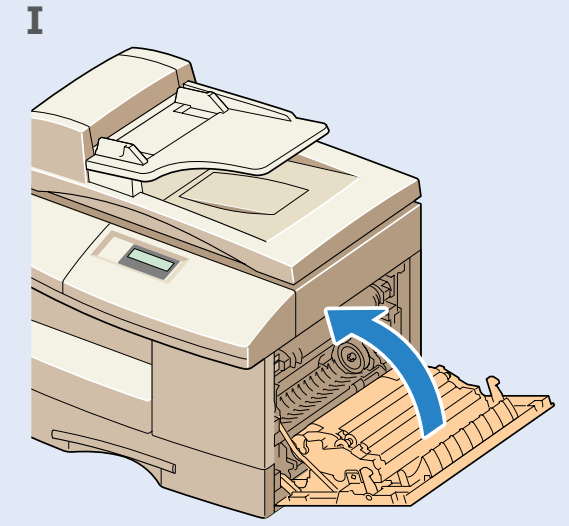
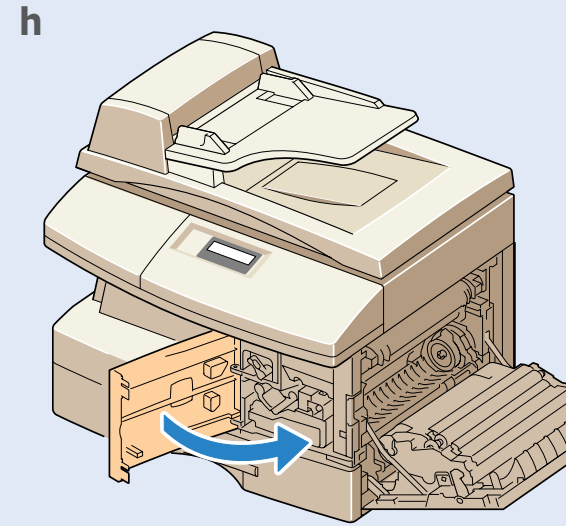
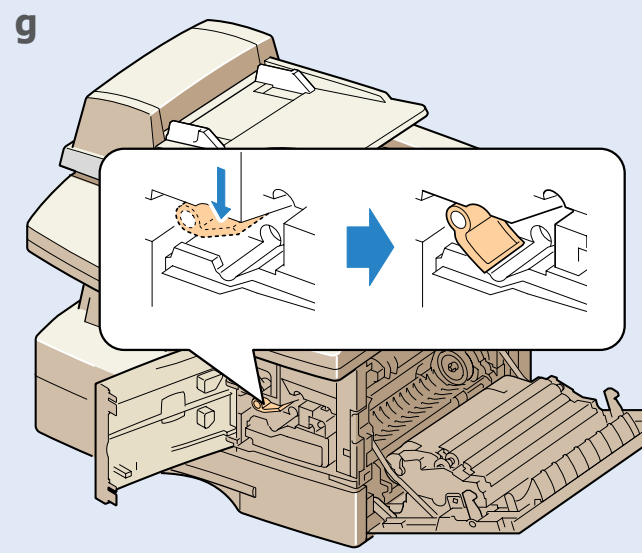
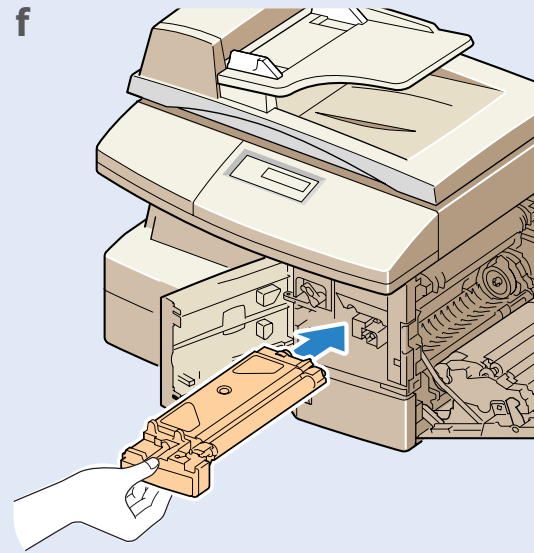
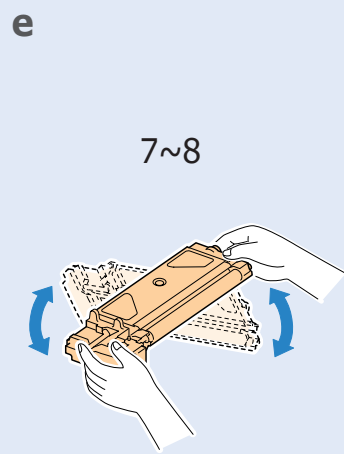
5



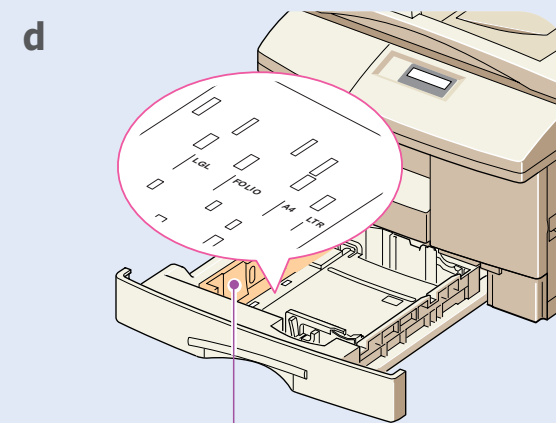
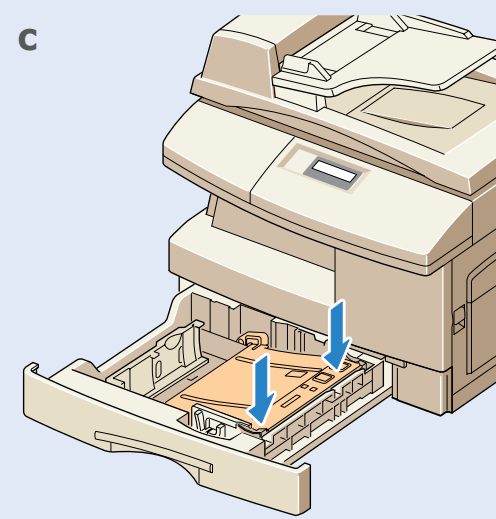
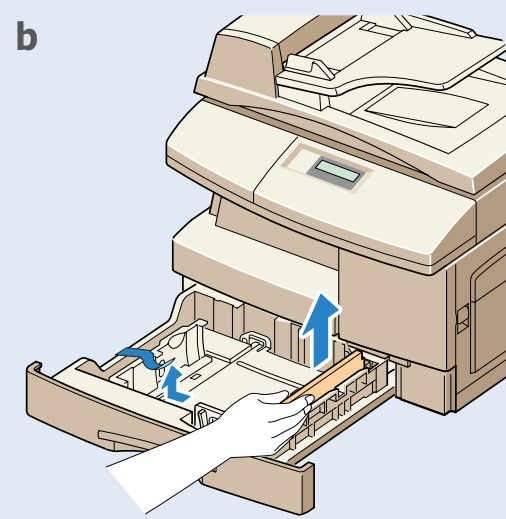
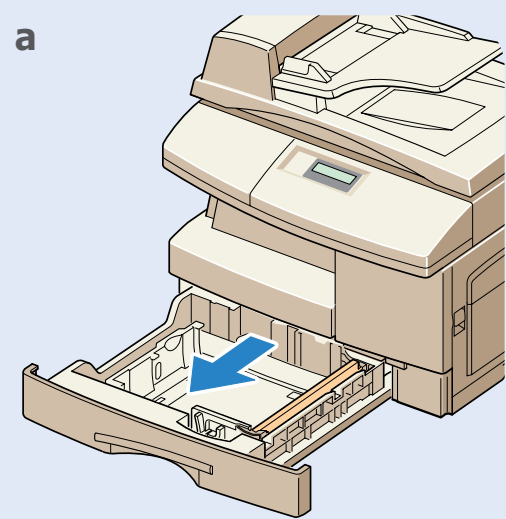
6



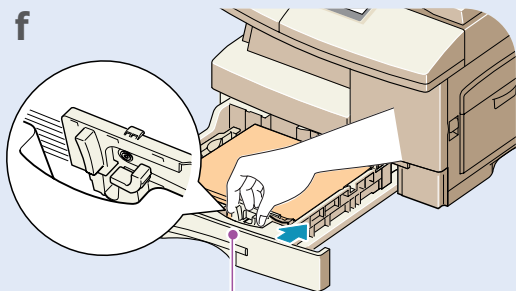
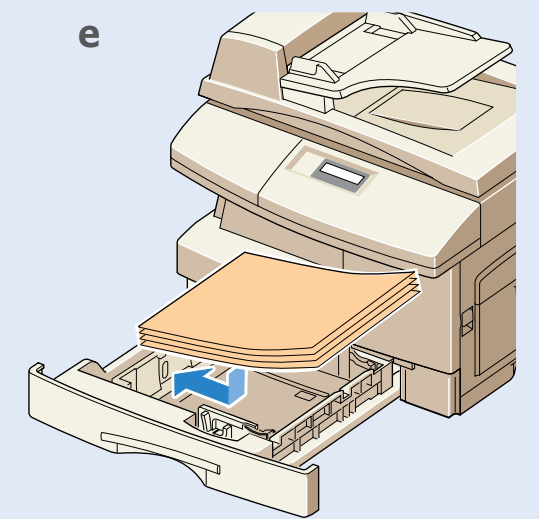
6



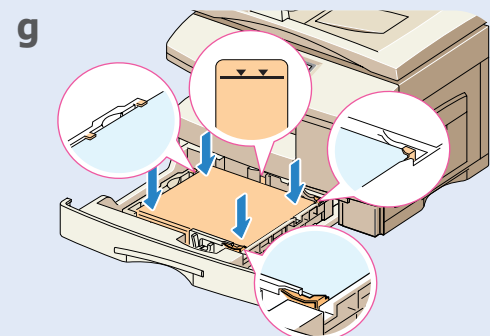
7



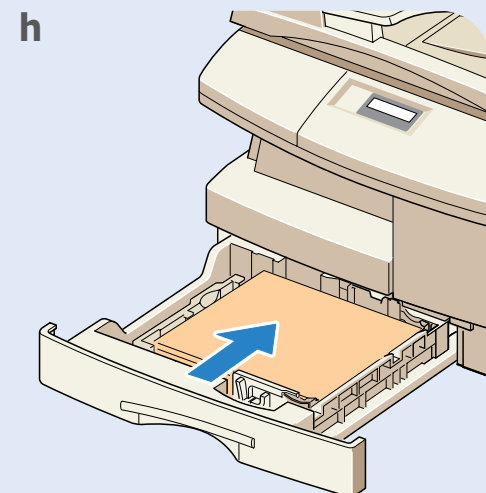
Lift and insert it to the desired paper length.
Lift and insert it to the desired paper length.
Lift and insert it to the desired paper length.
Lift and insert it to the desired paper length.



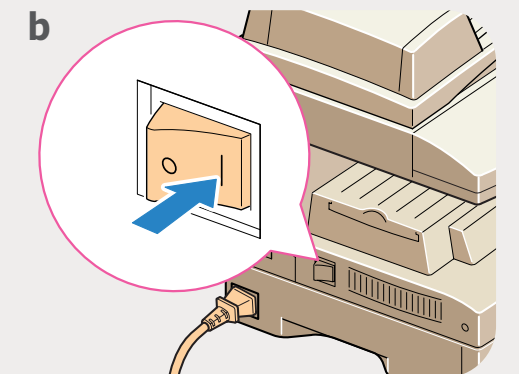
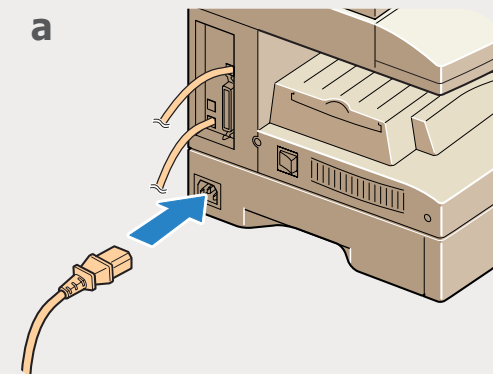
While squeezing, move it toward the stack of paper.
While squeezing, move it toward the stack of paper.
While squeezing, move it toward the stack of paper.
While squeezing, move it toward the stack of paper.



Ensure that the paper corners are under the corner snubbers. Do not fill above this line.
Ensure that the paper corners are under the corner snubbers. Do not fill above this line.
Ensure that the paper corners are under the corner snubbers. Do not fill above this line.
Ensure that the paper corners are under the corner snubbers. Do not fill above this line.



8



See the Quick Guide about installing the software.
See the Quick Guide about installing the software.
See the Quick Guide about installing the software.
See the Quick Guide about installing the software.